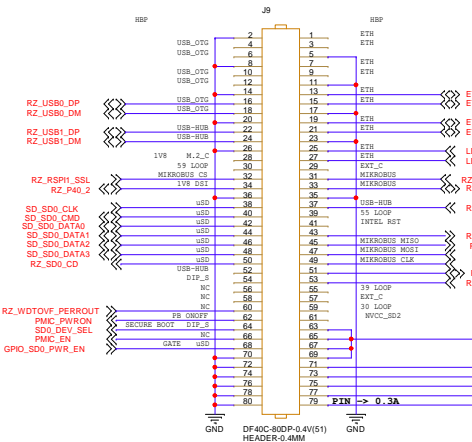
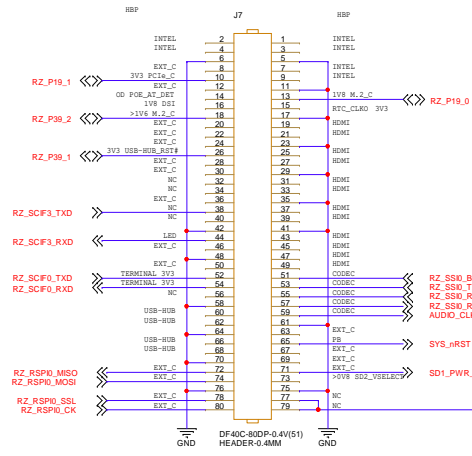
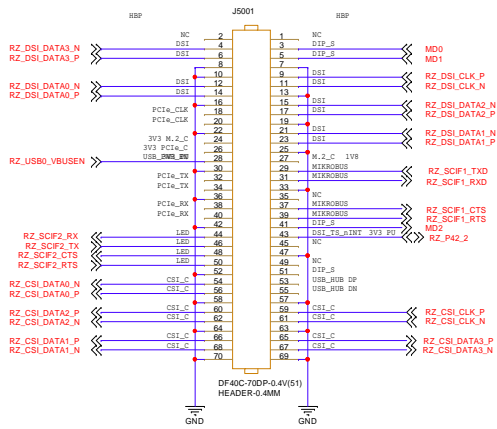
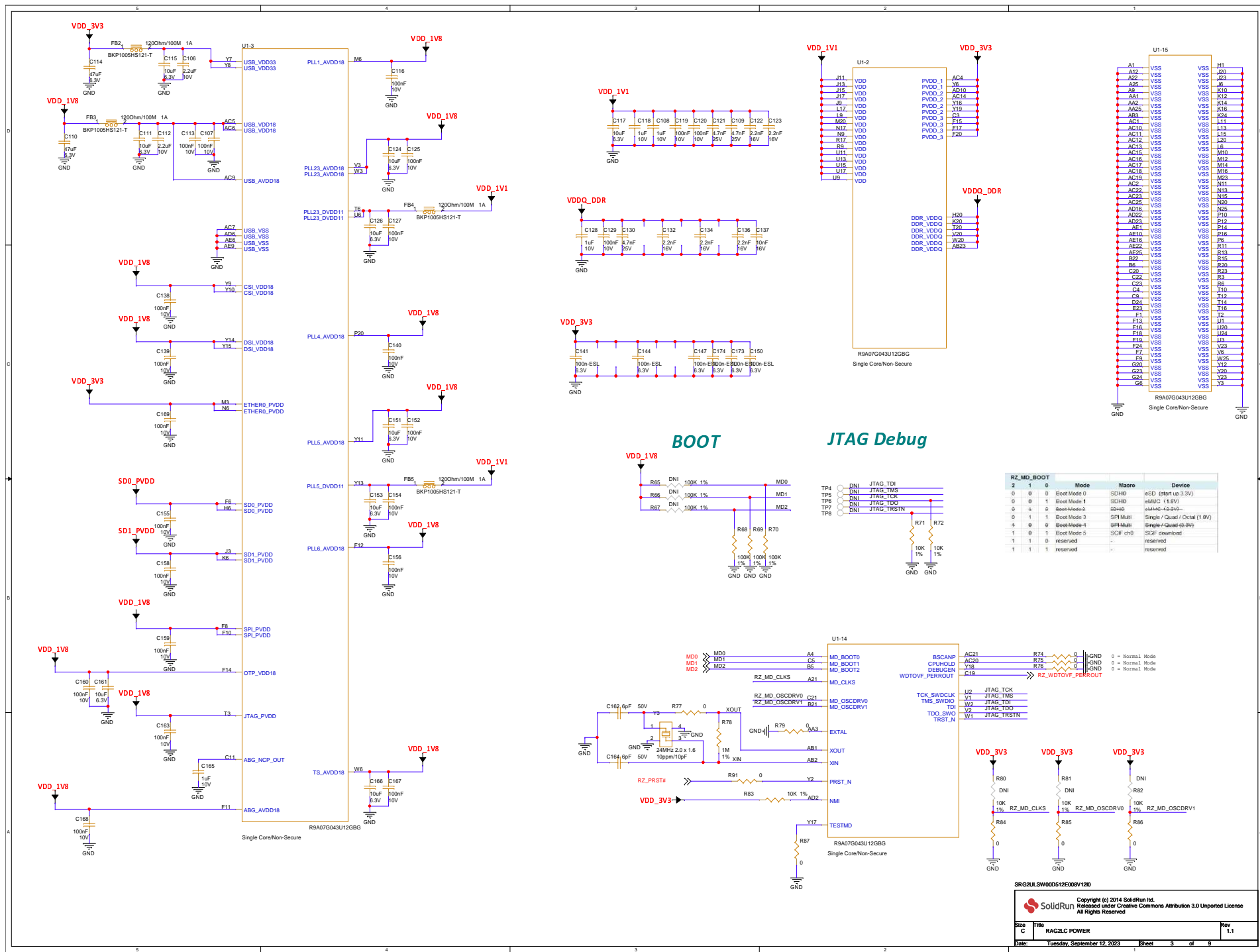


Rev. 1.0	Prototype Version
Rev. 1.1	<ol style="list-style-type: none"> 1. Change functionality of PWRON 2. Removing Pull up from PMIC_32KHz_CLK
Rev. 1.1.1	<ol style="list-style-type: none"> 3. ON/OFF is active high
Rev. 1.2	<ol style="list-style-type: none"> 1. Moving RZ_P39_2 from J7-28 to J7-18 to support USB_PWR_EN on the HBP 2. Connecting R24 to PU to support MODE4 3. Adding R10107 to support PMIC power control ove SD0 on BOOT

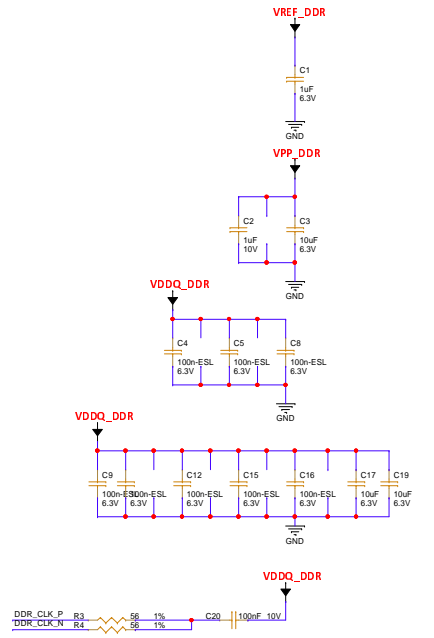
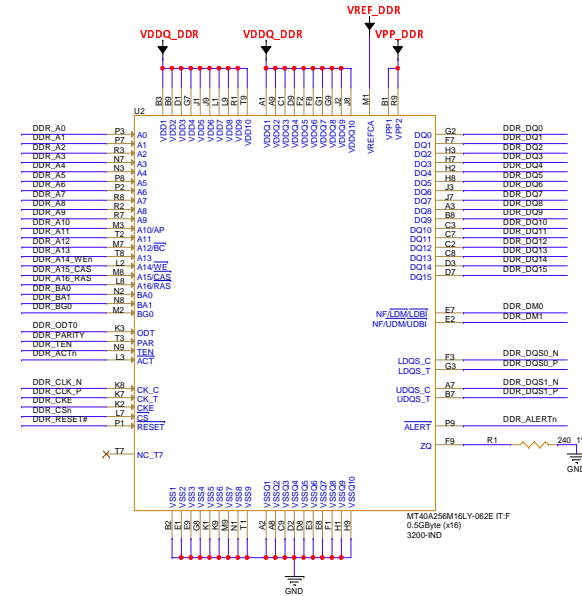
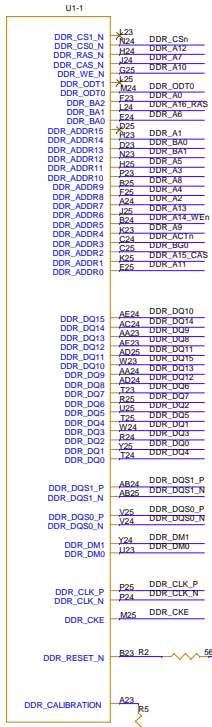




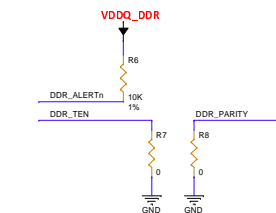
Pin	Signal	Pin	Signal
A1	VSS	H1	VSS
A2	VSS	H2	VSS
A3	VSS	H3	VSS
A4	VSS	H4	VSS
A5	VSS	H5	VSS
A6	VSS	H6	VSS
A7	VSS	H7	VSS
A8	VSS	H8	VSS
A9	VSS	H9	VSS
A10	VSS	H10	VSS
A11	VSS	H11	VSS
A12	VSS	H12	VSS
A13	VSS	H13	VSS
A14	VSS	H14	VSS
A15	VSS	H15	VSS
A16	VSS	H16	VSS
A17	VSS	H17	VSS
A18	VSS	H18	VSS
A19	VSS	H19	VSS
A20	VSS	H20	VSS
A21	VSS	H21	VSS
A22	VSS	H22	VSS
A23	VSS	H23	VSS
A24	VSS	H24	VSS
A25	VSS	H25	VSS
A26	VSS	H26	VSS
A27	VSS	H27	VSS
A28	VSS	H28	VSS
A29	VSS	H29	VSS
A30	VSS	H30	VSS
A31	VSS	H31	VSS
A32	VSS	H32	VSS
A33	VSS	H33	VSS
A34	VSS	H34	VSS
A35	VSS	H35	VSS
A36	VSS	H36	VSS
A37	VSS	H37	VSS
A38	VSS	H38	VSS
A39	VSS	H39	VSS
A40	VSS	H40	VSS
A41	VSS	H41	VSS
A42	VSS	H42	VSS
A43	VSS	H43	VSS
A44	VSS	H44	VSS
A45	VSS	H45	VSS
A46	VSS	H46	VSS
A47	VSS	H47	VSS
A48	VSS	H48	VSS
A49	VSS	H49	VSS
A50	VSS	H50	VSS
A51	VSS	H51	VSS
A52	VSS	H52	VSS
A53	VSS	H53	VSS
A54	VSS	H54	VSS
A55	VSS	H55	VSS
A56	VSS	H56	VSS
A57	VSS	H57	VSS
A58	VSS	H58	VSS
A59	VSS	H59	VSS
A60	VSS	H60	VSS
A61	VSS	H61	VSS
A62	VSS	H62	VSS
A63	VSS	H63	VSS
A64	VSS	H64	VSS
A65	VSS	H65	VSS
A66	VSS	H66	VSS
A67	VSS	H67	VSS
A68	VSS	H68	VSS
A69	VSS	H69	VSS
A70	VSS	H70	VSS
A71	VSS	H71	VSS
A72	VSS	H72	VSS
A73	VSS	H73	VSS
A74	VSS	H74	VSS
A75	VSS	H75	VSS
A76	VSS	H76	VSS
A77	VSS	H77	VSS
A78	VSS	H78	VSS
A79	VSS	H79	VSS
A80	VSS	H80	VSS
A81	VSS	H81	VSS
A82	VSS	H82	VSS
A83	VSS	H83	VSS
A84	VSS	H84	VSS
A85	VSS	H85	VSS
A86	VSS	H86	VSS
A87	VSS	H87	VSS
A88	VSS	H88	VSS
A89	VSS	H89	VSS
A90	VSS	H90	VSS
A91	VSS	H91	VSS
A92	VSS	H92	VSS
A93	VSS	H93	VSS
A94	VSS	H94	VSS
A95	VSS	H95	VSS
A96	VSS	H96	VSS
A97	VSS	H97	VSS
A98	VSS	H98	VSS
A99	VSS	H99	VSS
A100	VSS	H100	VSS

RZ_MD_BOOT	Mode	Macro	Device
0 0 0	Boot Mode 0	SDHD	eSD (start up 3.3V)
0 0 1	Boot Mode 1	SDHD	eMMC (1.8V)
0 1 0	Boot Mode 2	SPIMulti	SPIMulti (1.8V)
0 1 1	Boot Mode 3	SPIMulti	Single / Quad / Octal (1.8V)
1 0 0	Boot Mode 4	SPIMulti	Single / Quad (3.3V)
1 0 1	Boot Mode 5	SCF ch0	SCF download
1 1 0	reserved		reserved
1 1 1	reserved		reserved

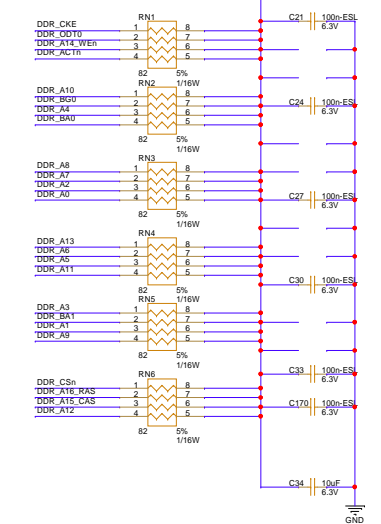
DDR4 DEVICE



DDR TERMINATION

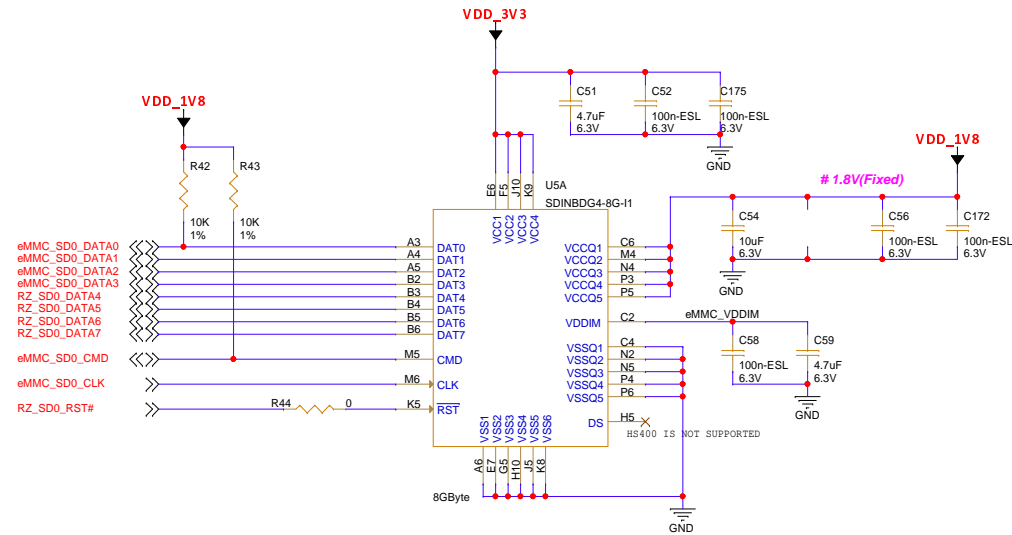


	1	2	3	4	5	6	7	8	9	
A	VDDQ	VSSQ	DQU0							A
B	VPP	VSS	VDD							B
C	VDDQ	DQU4	DQU2							C
D	VDDQ	VSSQ	DQU6							D
E	VSS	DMU_n	VSSQ							E
F	VSSQ	VDDQ	DQSL_c							F
G	VDDQ	DQ0	DQSL_t							G
H	VSSQ	DQ4	DQ2							H
J	VDDQ	VDDQ	DQ6							J
K	VSS	CKE	CK_c							K
L	VDDQ	WE_n	ACT_n							L
M	VREFCA	BG0	A10AP							M
N	VSS	B40	A4							N
P	RESET_n	A9	A0							P
R	VDDQ	A9	A2							R
T	VSS	A17	PAR							T

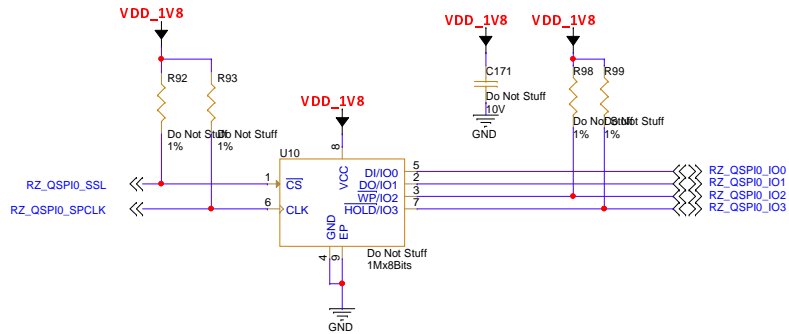


Storage

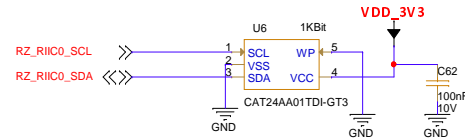
eMMC5.1



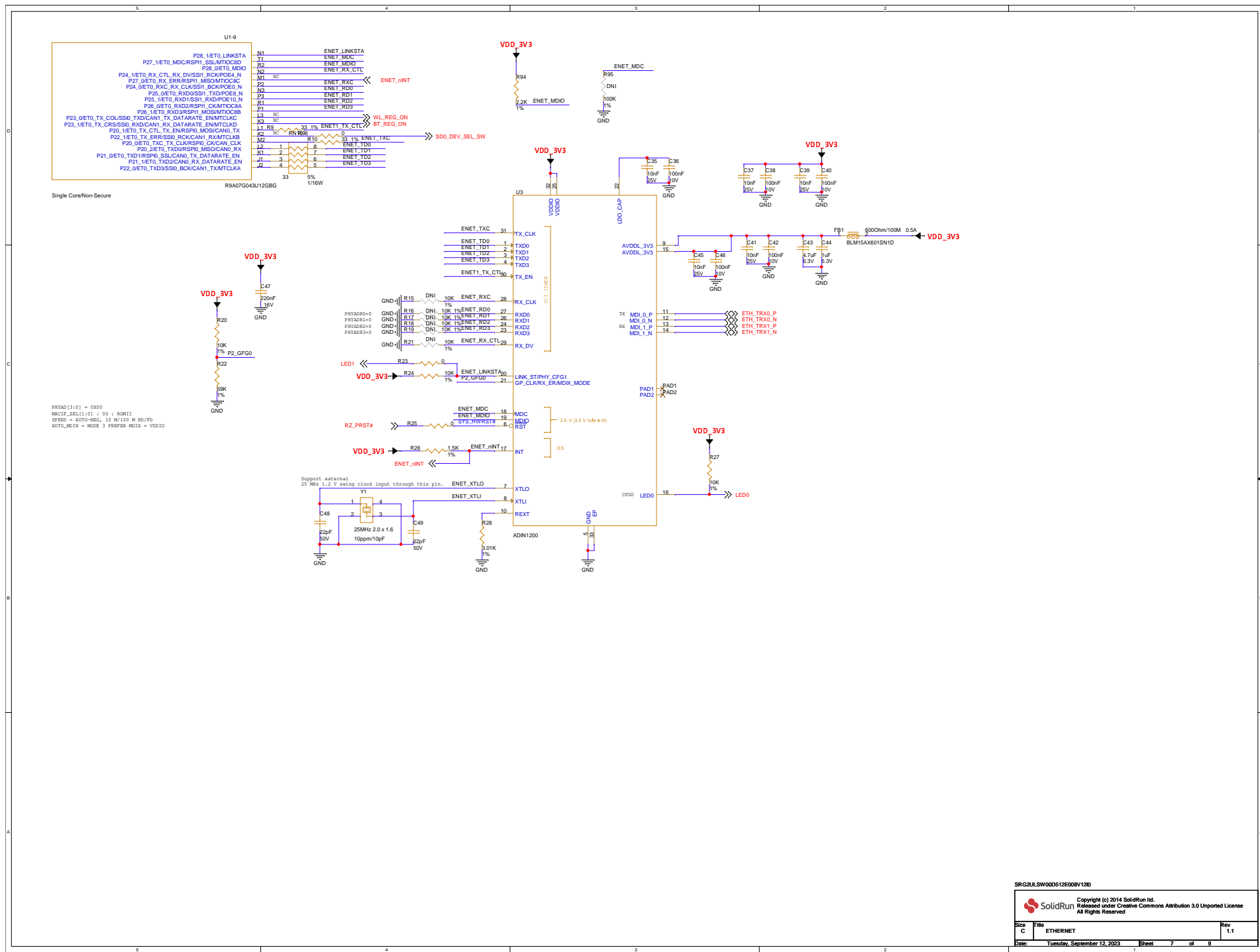
QSPI Flash (Default N/A)

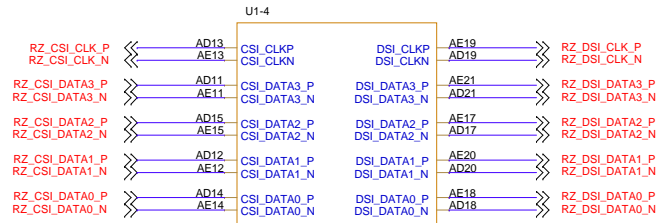


EEPROM (Default N/A)

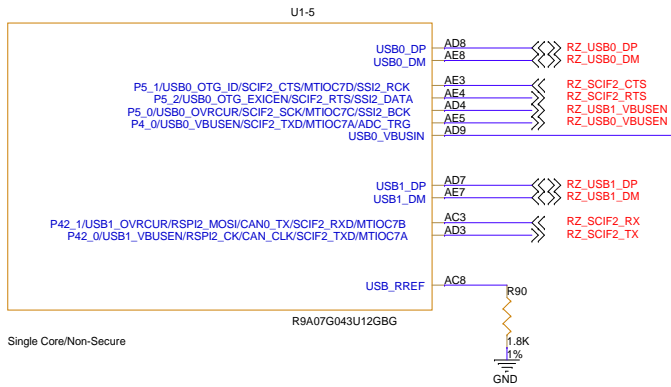


A1	NC_A1	A14	NC_A14	N14	N14
A2	NC_A2	A15	NC_A15	N15	N15
A3	NC_A3	A16	NC_A16	N16	N16
A4	NC_A4	A17	NC_A17	N17	N17
A5	NC_A5	A18	NC_A18	N18	N18
A6	NC_A6	A19	NC_A19	N19	N19
A7	NC_A7	A20	NC_A20	N20	N20
A8	NC_A8	A21	NC_A21	N21	N21
A9	NC_A9	A22	NC_A22	N22	N22
A10	NC_A10	A23	NC_A23	N23	N23
A11	NC_A11	A24	NC_A24	N24	N24
A12	NC_A12	A25	NC_A25	N25	N25
A13	NC_A13	A26	NC_A26	N26	N26
A14	NC_A14	A27	NC_A27	N27	N27
B1	NC_B1	A28	NC_A28	N28	N28
B2	NC_B2	A29	NC_A29	N29	N29
B3	NC_B3	A30	NC_A30	N30	N30
B4	NC_B4	A31	NC_A31	N31	N31
B5	NC_B5	A32	NC_A32	N32	N32
B6	NC_B6	A33	NC_A33	N33	N33
B7	NC_B7	A34	NC_A34	N34	N34
B8	NC_B8	A35	NC_A35	N35	N35
B9	NC_B9	A36	NC_A36	N36	N36
B10	NC_B10	A37	NC_A37	N37	N37
B11	NC_B11	A38	NC_A38	N38	N38
B12	NC_B12	A39	NC_A39	N39	N39
B13	NC_B13	A40	NC_A40	N40	N40
B14	NC_B14	A41	NC_A41	N41	N41
C1	NC_C1	A42	NC_A42	N42	N42
C2	NC_C2	A43	NC_A43	N43	N43
C3	NC_C3	A44	NC_A44	N44	N44
C4	NC_C4	A45	NC_A45	N45	N45
C5	NC_C5	A46	NC_A46	N46	N46
C6	NC_C6	A47	NC_A47	N47	N47
C7	NC_C7	A48	NC_A48	N48	N48
C8	NC_C8	A49	NC_A49	N49	N49
C9	NC_C9	A50	NC_A50	N50	N50
C10	NC_C10	A51	NC_A51	N51	N51
C11	NC_C11	A52	NC_A52	N52	N52
C12	NC_C12	A53	NC_A53	N53	N53
C13	NC_C13	A54	NC_A54	N54	N54
C14	NC_C14	A55	NC_A55	N55	N55
D1	NC_D1	A56	NC_A56	N56	N56
D2	NC_D2	A57	NC_A57	N57	N57
D3	NC_D3	A58	NC_A58	N58	N58
D4	NC_D4	A59	NC_A59	N59	N59
D5	NC_D5	A60	NC_A60	N60	N60
D6	NC_D6	A61	NC_A61	N61	N61
D7	NC_D7	A62	NC_A62	N62	N62
D8	NC_D8	A63	NC_A63	N63	N63
D9	NC_D9	A64	NC_A64	N64	N64
D10	NC_D10	A65	NC_A65	N65	N65
D11	NC_D11	A66	NC_A66	N66	N66
D12	NC_D12	A67	NC_A67	N67	N67
D13	NC_D13	A68	NC_A68	N68	N68
D14	NC_D14	A69	NC_A69	N69	N69
E1	NC_E1	A70	NC_A70	N70	N70
E2	NC_E2	A71	NC_A71	N71	N71
E3	NC_E3	A72	NC_A72	N72	N72
E4	NC_E4	A73	NC_A73	N73	N73
E5	NC_E5	A74	NC_A74	N74	N74
E6	NC_E6	A75	NC_A75	N75	N75
E7	NC_E7	A76	NC_A76	N76	N76
E8	NC_E8	A77	NC_A77	N77	N77
E9	NC_E9	A78	NC_A78	N78	N78
E10	NC_E10	A79	NC_A79	N79	N79
E11	NC_E11	A80	NC_A80	N80	N80
F1	NC_F1	A81	NC_A81	N81	N81
F2	NC_F2	A82	NC_A82	N82	N82
F3	NC_F3	A83	NC_A83	N83	N83
F4	NC_F4	A84	NC_A84	N84	N84
F5	NC_F5	A85	NC_A85	N85	N85
F6	NC_F6	A86	NC_A86	N86	N86
F7	NC_F7	A87	NC_A87	N87	N87
F8	NC_F8	A88	NC_A88	N88	N88
F9	NC_F9	A89	NC_A89	N89	N89
F10	NC_F10	A90	NC_A90	N90	N90
G1	NC_G1	A91	NC_A91	N91	N91
G2	NC_G2	A92	NC_A92	N92	N92
G3	NC_G3	A93	NC_A93	N93	N93
G4	NC_G4	A94	NC_A94	N94	N94
G5	NC_G5	A95	NC_A95	N95	N95
G6	NC_G6	A96	NC_A96	N96	N96
G7	NC_G7	A97	NC_A97	N97	N97
G8	NC_G8	A98	NC_A98	N98	N98
G9	NC_G9	A99	NC_A99	N99	N99
G10	NC_G10	A100	NC_A100	N100	N100
H1	NC_H1	A101	NC_A101	N101	N101
H2	NC_H2	A102	NC_A102	N102	N102
H3	NC_H3	A103	NC_A103	N103	N103
H4	NC_H4	A104	NC_A104	N104	N104
H5	NC_H5	A105	NC_A105	N105	N105
H6	NC_H6	A106	NC_A106	N106	N106
H7	NC_H7	A107	NC_A107	N107	N107
H8	NC_H8	A108	NC_A108	N108	N108
H9	NC_H9	A109	NC_A109	N109	N109
H10	NC_H10	A110	NC_A110	N110	N110
H11	NC_H11	A111	NC_A111	N111	N111
H12	NC_H12	A112	NC_A112	N112	N112
H13	NC_H13	A113	NC_A113	N113	N113
H14	NC_H14	A114	NC_A114	N114	N114
J1	NC_J1	A115	NC_A115	N115	N115
J2	NC_J2	A116	NC_A116	N116	N116
J3	NC_J3	A117	NC_A117	N117	N117
J4	NC_J4	A118	NC_A118	N118	N118
J5	NC_J5	A119	NC_A119	N119	N119
J6	NC_J6	A120	NC_A120	N120	N120
J7	NC_J7	A121	NC_A121	N121	N121
J8	NC_J8	A122	NC_A122	N122	N122
J9	NC_J9	A123	NC_A123	N123	N123
J10	NC_J10	A124	NC_A124	N124	N124
J11	NC_J11	A125	NC_A125	N125	N125
J12	NC_J12	A126	NC_A126	N126	N126
J13	NC_J13	A127	NC_A127	N127	N127
J14	NC_J14	A128	NC_A128	N128	N128
K1	NC_K1	A129	NC_A129	N129	N129
K2	NC_K2	A130	NC_A130	N130	N130
K3	NC_K3	A131	NC_A131	N131	N131
K4	NC_K4	A132	NC_A132	N132	N132
K5	NC_K5	A133	NC_A133	N133	N133
K6	NC_K6	A134	NC_A134	N134	N134
K7	NC_K7	A135	NC_A135	N135	N135
K8	NC_K8	A136	NC_A136	N136	N136
K9	NC_K9	A137	NC_A137	N137	N137
K10	NC_K10	A138	NC_A138	N138	N138
K11	NC_K11	A139	NC_A139	N139	N139
K12	NC_K12	A140	NC_A140	N140	N140
K13	NC_K13	A141	NC_A141	N141	N141
K14	NC_K14	A142	NC_A142	N142	N142
L1	NC_L1	A143	NC_A143	N143	N143
L2	NC_L2	A144	NC_A144	N144	N144
L3	NC_L3	A145	NC_A145	N145	N145
L4	NC_L4	A146	NC_A146	N146	N146
L5	NC_L5	A147	NC_A147	N147	N147
L6	NC_L6	A148	NC_A148	N148	N148
L7	NC_L7	A149	NC_A149	N149	N149
L8	NC_L8	A150	NC_A150	N150	N150
L9	NC_L9	A151	NC_A151	N151	N151
L10	NC_L10	A152	NC_A152	N152	N152
L11	NC_L11	A153	NC_A153	N153	N153
L12	NC_L12	A154	NC_A154	N154	N154
L13	NC_L13	A155	NC_A155	N155	N155
L14	NC_L14	A156	NC_A156	N156	N156
M1	NC_M1	A157	NC_A157	N157	N157
M2	NC_M2	A158	NC_A158	N158	N158
M3	NC_M3	A159	NC_A159	N159	N159
M4	NC_M4	A160	NC_A160	N160	N160
M5	NC_M5	A161	NC_A161	N161	N161
M6	NC_M6	A162	NC_A162	N162	N162
M7	NC_M7	A163	NC_A163	N163	N163
M8	NC_M8	A164	NC_A164	N164	N164
M9	NC_M9	A165	NC_A165	N165	N165
M10	NC_M10	A166	NC_A166	N166	N166
M11	NC_M11	A167	NC_A167	N167	N167
M12	NC_M12	A168	NC_A168	N168	N168
M13	NC_M13	A169	NC_A169	N169	N169
M14	NC_M14	A170	NC_A170	N170	N170
N1	NC_N1	A171	NC_A171	N171	N171
N2	NC_N2	A172	NC_A172	N172	N172
N3	NC_N3	A173	NC_A173	N173	N173
N4	NC_N4	A174	NC_A174	N174	N174
N5	NC_N5	A175	NC_A175	N175	N175
N6	NC_N6	A176	NC_A176	N176	N176
N7	NC_N7	A177	NC_A177	N177	N177
N8	NC_N8	A178	NC_A178	N178	N178
N9	NC_N9	A179	NC_A179	N179	N179
N10	NC_N10	A180	NC_A180	N180	N180
N11	NC_N11	A181	NC_A181	N181	N181
N12	NC_N12	A182	NC_A182	N182	N182
N13	NC_N13	A183	NC_A183	N183	N183
N14	NC_N14	A184	NC_A184	N184	N184
N15	NC_N15	A185	NC_A185	N185	N185
N16	NC_N16	A186	NC_A186	N186	N186
N17	NC_N17	A187	NC_A187	N187	N187
N18	NC_N18	A188	NC_A188	N188	N188
N19	NC_N19	A189	NC_A189	N189	N189
N20	NC_N20	A190	NC_A190	N190	N190
N21	NC_N21	A191	NC_A191	N191	N191
N22	NC_N22	A192	NC_A192	N192	N192
N23	NC_N23	A193	NC_A193	N193	N193
N24	NC_N24	A194	NC_A194	N194	N194
N25	NC_N25	A195	NC_A195	N195	N195
N26	NC_N26	A196	NC_A196	N196	N196
N27	NC_N27	A197	NC_A197	N197	N197
N28	NC_N28	A198	NC_A198	N198	N198
N29	NC_N29	A199	NC_A199	N199	N199
N30	NC_N30	A200	NC_A200	N200	N200
N31	NC_N31	A201	NC_A201	N201	N201
N32	NC_N32	A202	NC_A202	N202	N202
N33	NC_N33	A203	NC_A203	N203	N203
N34	NC_N34	A204	NC_A204	N204	N204
N35	NC_N35	A205	NC_A205	N205	N205
N36	NC_N36	A206	NC_A206	N206	N206
N37	NC_N37	A207	NC_A207	N207	N207
N38	NC_N38	A208	NC_A208	N208	N208
N39	NC_N39	A209	NC_A209	N209	N209
N40	NC_N40	A210	NC_A210	N210	N210
N41	NC_N41	A211	NC_A211	N211	N211
N42	NC_N42	A212	NC_A212	N212	N212
N43	NC_N43	A213	NC_A213	N213	N213
N44	NC_N44	A214	NC_A214	N214	N214
N45	NC_N45	A215	NC_A215	N215	N215
N46	NC_N46	A216	NC_A216	N216	N216
N47	NC_N47	A217	NC_A217	N217	N217
N48	NC_N48	A218	NC_A218	N218	N218
N49	NC_N49	A219	NC_A219	N219	N219
N50	NC_N50	A220	NC_A220	N220	N220
N51	NC_N51	A221	NC_A221	N221	N221
N52	NC_N52	A222	NC_A222	N222	N222
N53	NC_N53	A223	NC_A223	N223	N223





U1-4
R9A07G043U12GBG
Single Core/Non-Secure



U1-5
R9A07G043U12GBG
Single Core/Non-Secure

SRG2ULSW00D512E008V1210



Copyright (c) 2014 SolidRun Ltd.
Released under Creative Commons Attribution 3.0 Unported License
All Rights Reserved

Size	File	Rev
B	USB DSI CSI DISP	1.1
Date: Tuesday, September 12, 2023		Sheet 8 of 9