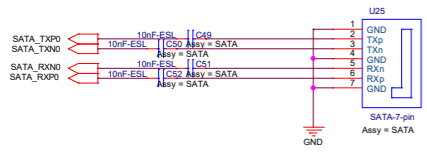


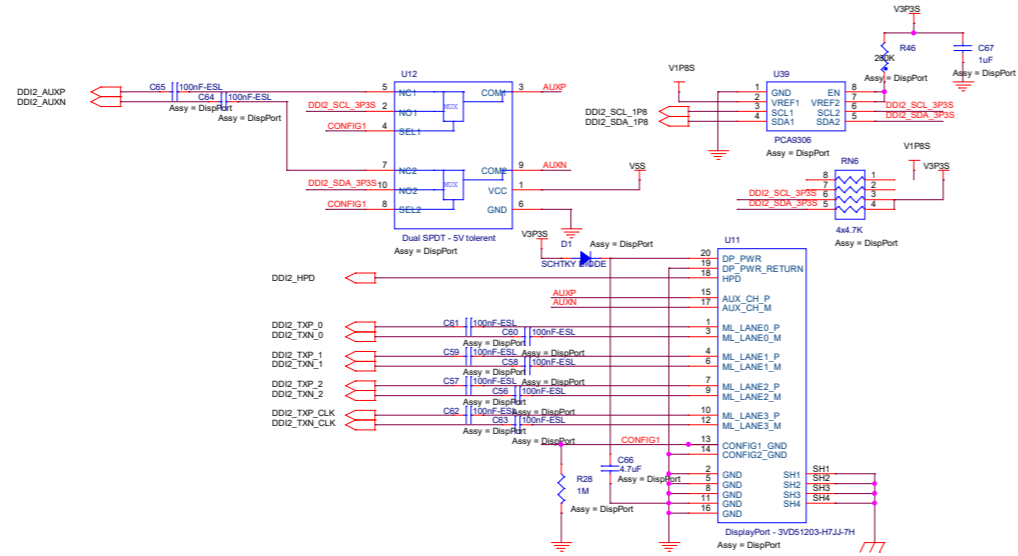
External SATA connector

- Notes -
- Typically not soldered on the board.
 - Previous versions had a bug on RX0 and RX10 were they were swapped



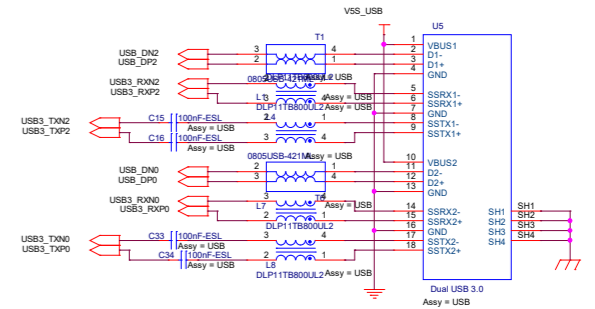
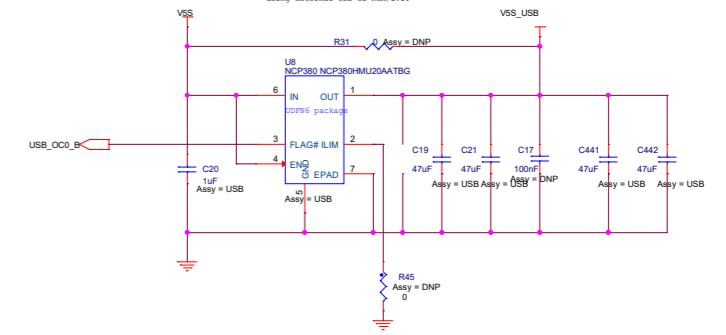
DP++ connector

Notice D1 where in recent versions V1P3S was directly connected to the DP connector (bug fix)

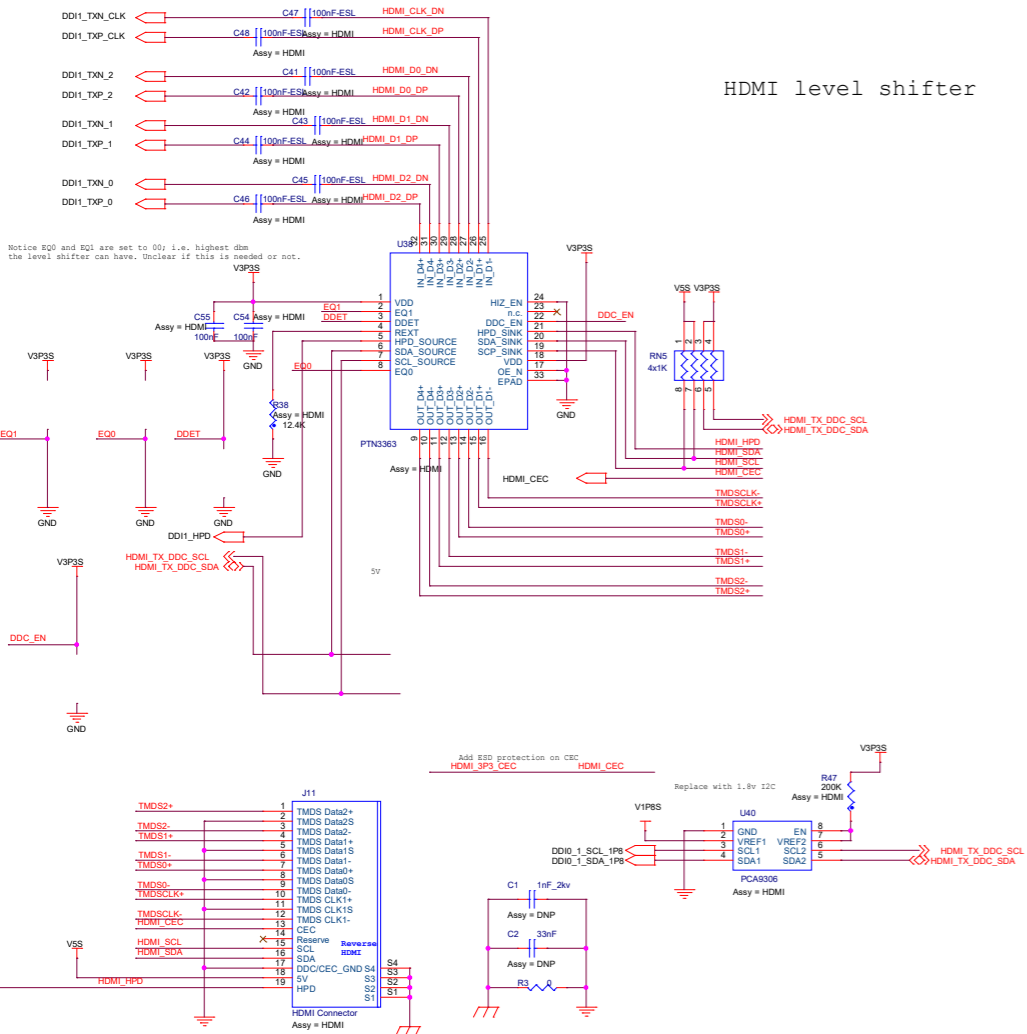


3x USB 3.0 out

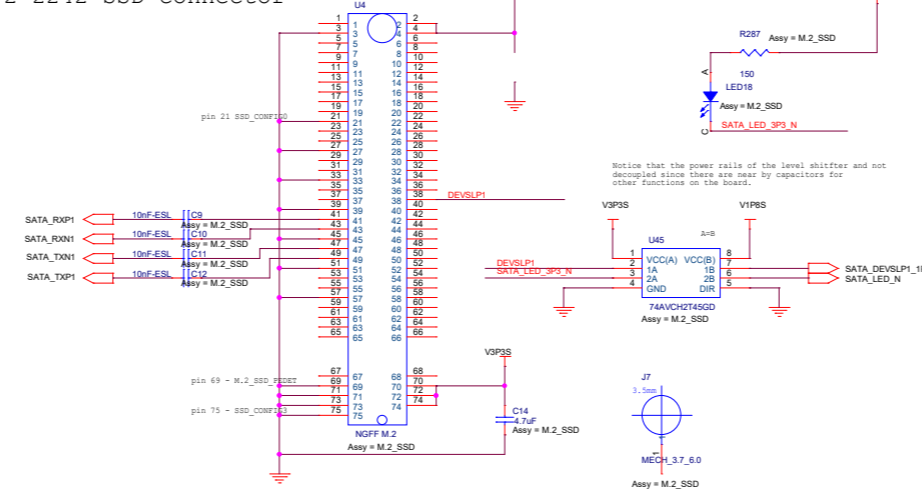
Notice the addition of more capacitance on the output C441 and C442. This comes to assist when using external mechanical devices. The issue that was observed in high swing on 'Bus when using external USB CD-ROM/DVD.



HDMI level shifter



M.2 2242 SSD connector



Notice that the power rails of the level shifter and not decoupled since there are near by capacitors for other functions on the board.

Notice that the power rails of the level shifter and not decoupled since there are near by capacitors for other functions on the board.

Notice that the power rails of the level shifter and not decoupled since there are near by capacitors for other functions on the board.

Notice that the power rails of the level shifter and not decoupled since there are near by capacitors for other functions on the board.

Notice that the power rails of the level shifter and not decoupled since there are near by capacitors for other functions on the board.

Notice that the power rails of the level shifter and not decoupled since there are near by capacitors for other functions on the board.

Notice that the power rails of the level shifter and not decoupled since there are near by capacitors for other functions on the board.

Notice that the power rails of the level shifter and not decoupled since there are near by capacitors for other functions on the board.

Notice that the power rails of the level shifter and not decoupled since there are near by capacitors for other functions on the board.

Notice that the power rails of the level shifter and not decoupled since there are near by capacitors for other functions on the board.

Notice that the power rails of the level shifter and not decoupled since there are near by capacitors for other functions on the board.

Notice that the power rails of the level shifter and not decoupled since there are near by capacitors for other functions on the board.

Notice that the power rails of the level shifter and not decoupled since there are near by capacitors for other functions on the board.

Notice that the power rails of the level shifter and not decoupled since there are near by capacitors for other functions on the board.

Notice that the power rails of the level shifter and not decoupled since there are near by capacitors for other functions on the board.

Notice that the power rails of the level shifter and not decoupled since there are near by capacitors for other functions on the board.

Notice that the power rails of the level shifter and not decoupled since there are near by capacitors for other functions on the board.

MicroSD with 3.3v/1.8 switchover for UHS-1

