

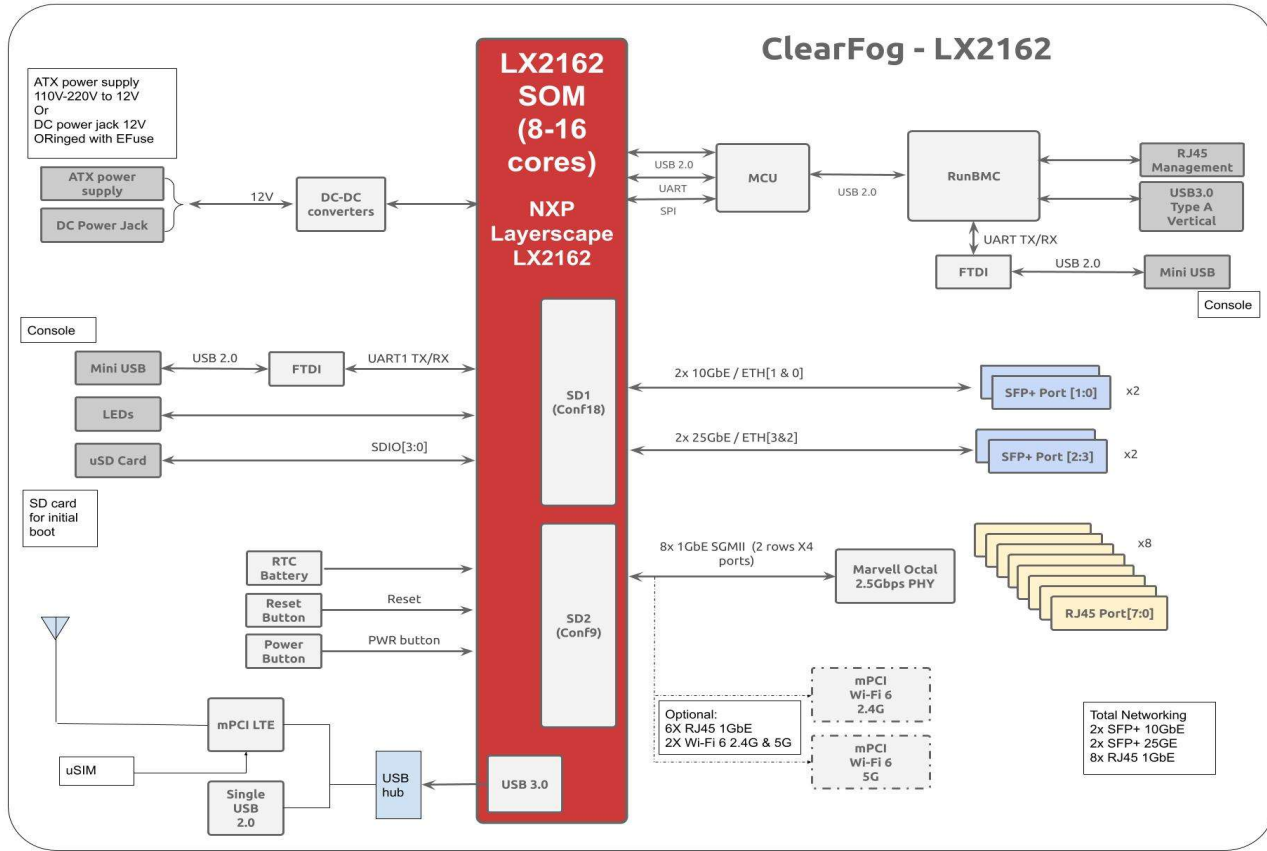
ClearFog LX2162A SolidRun Ltd.

Revision History

Rev#	Date	Owner	Description
1.0	Feb 2022	11amB	First Release

Table of Content

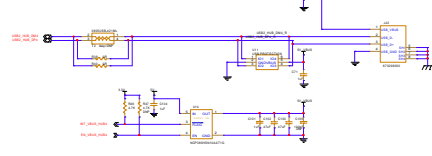
Page#	Page Name	Description
1	Index	
2	SOM & SFPs	SOM Connectors and SFP Interface
3	ADCs & PHY	8 port USB DACs and Marvell Octal PHY
4	RunBMC	RunBMC Management



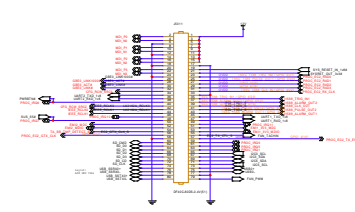
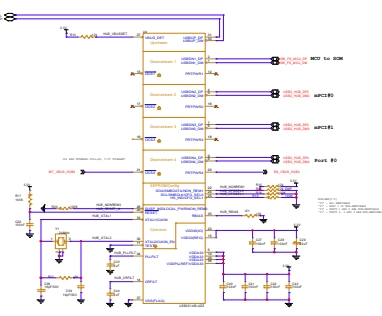
SOM & SFP

LX2162-SOM Interface

Vertical USB2.0 Port



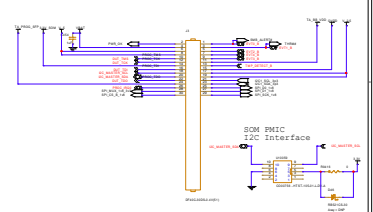
USB2.0 HUB



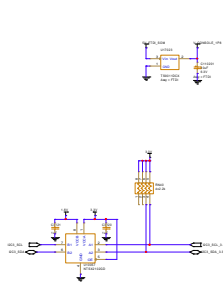
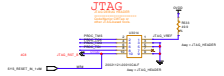
SOM Spacers



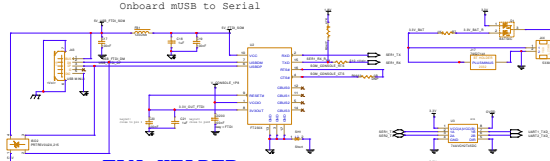
Mechanical Holes



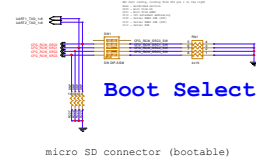
JTAG



FAN HEADER

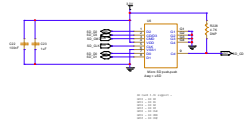


Onboard USB to Serial



Boot Select

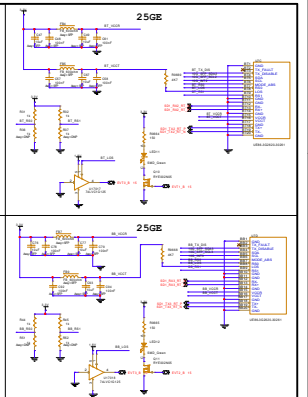
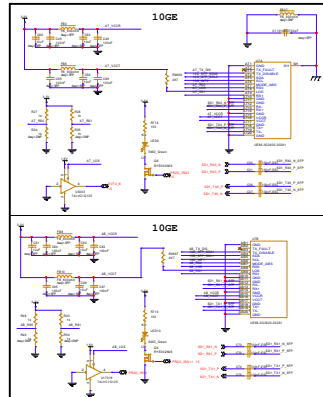
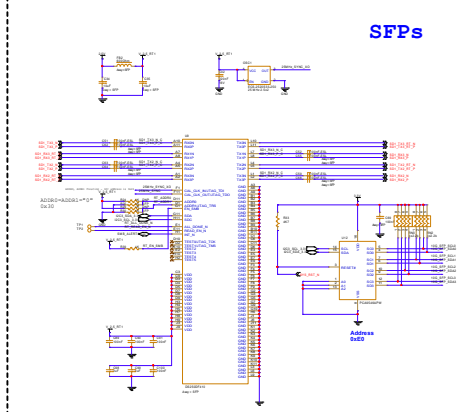
micro SD connector (bootable)



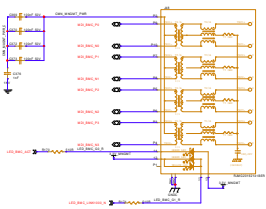
History Revision

00	First Release
----	---------------

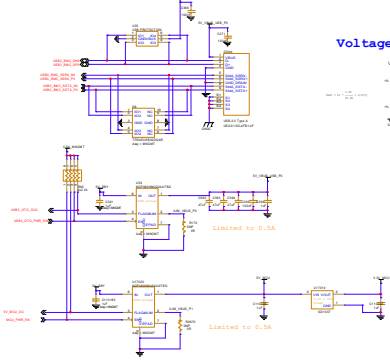
SFPs



RJ45



Vertical USB3.0

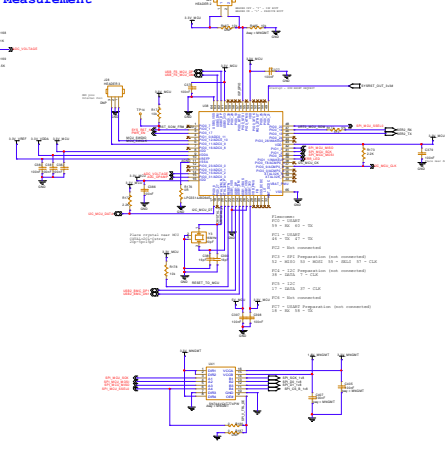


RUNBMC

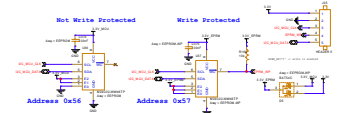
Voltage Measurement



MCU



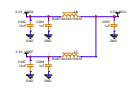
2Kbit EEPROMS-MCU



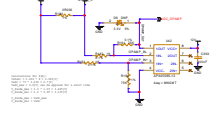
RED LED



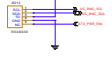
MCU FILTERS



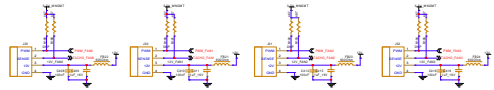
Power Measurement



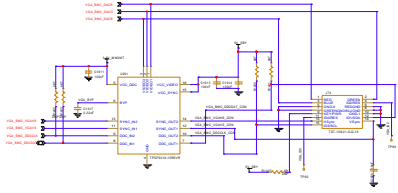
ATX PWR Board MNGMT



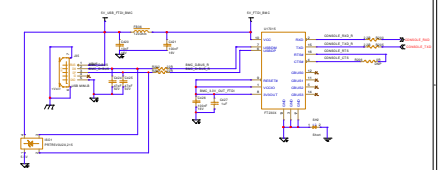
FAN Connectors



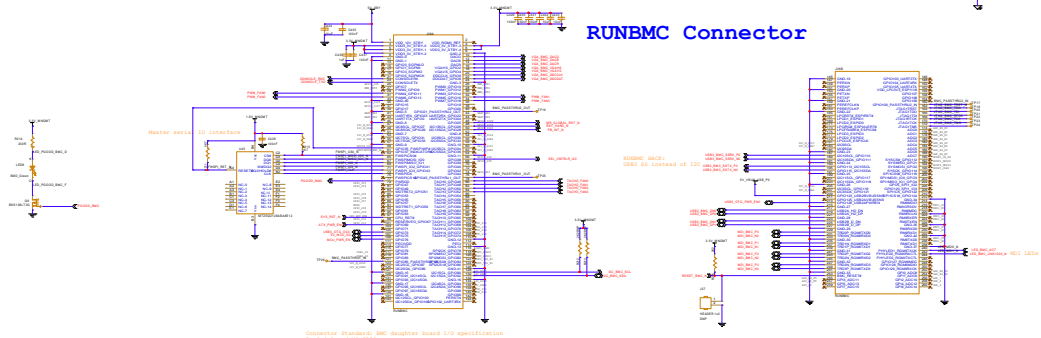
VGA



Console



RUNBMC Connector



Component locations: BMC Daughter board I/O specification Rev:4.1.7 and Rev:5.0.0