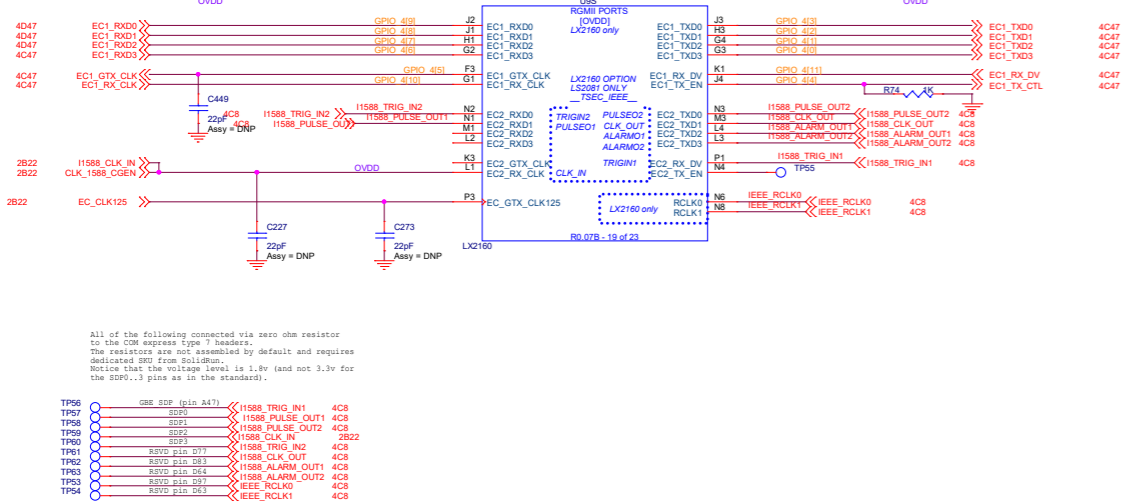
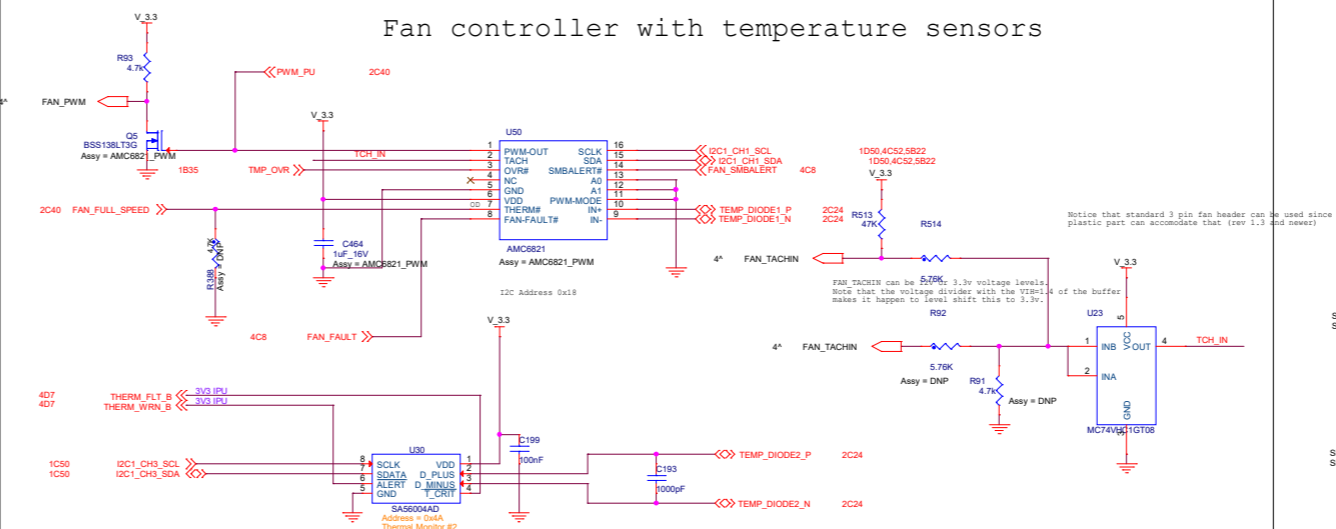


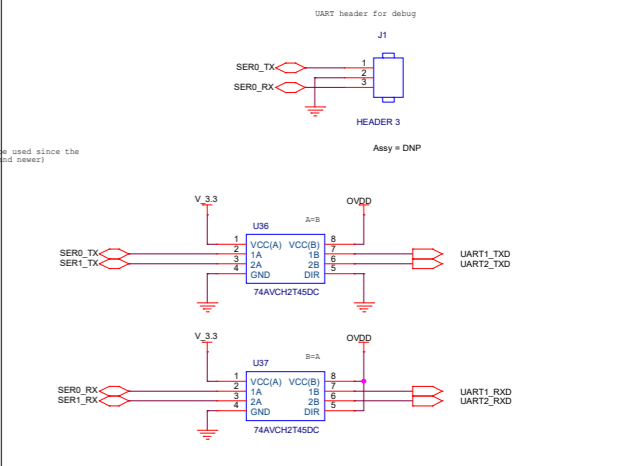
RGMIII and 1588 domain



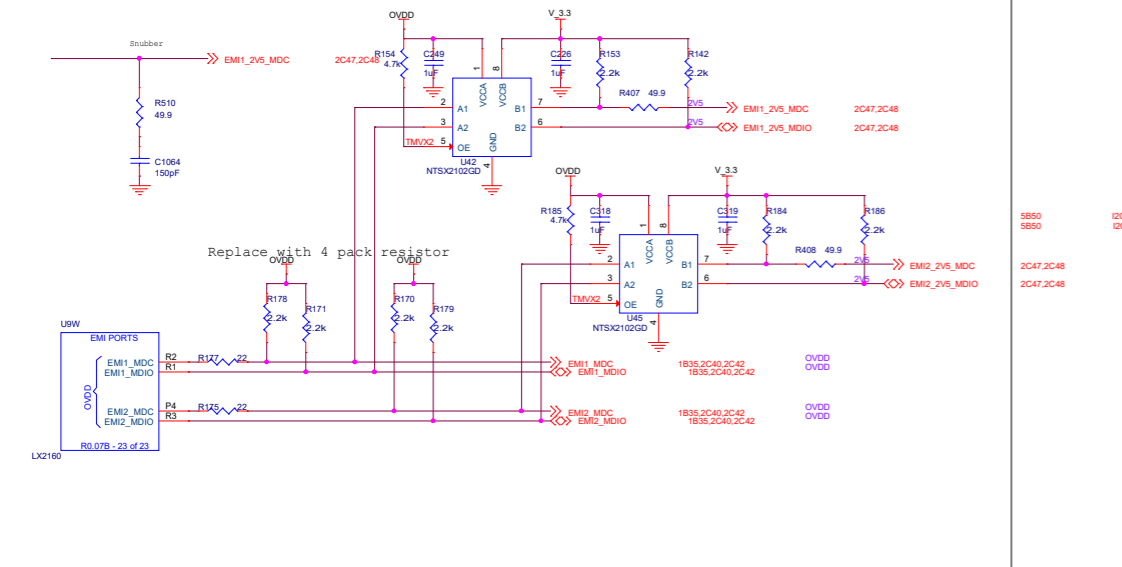
Fancontroller with temperature sensors



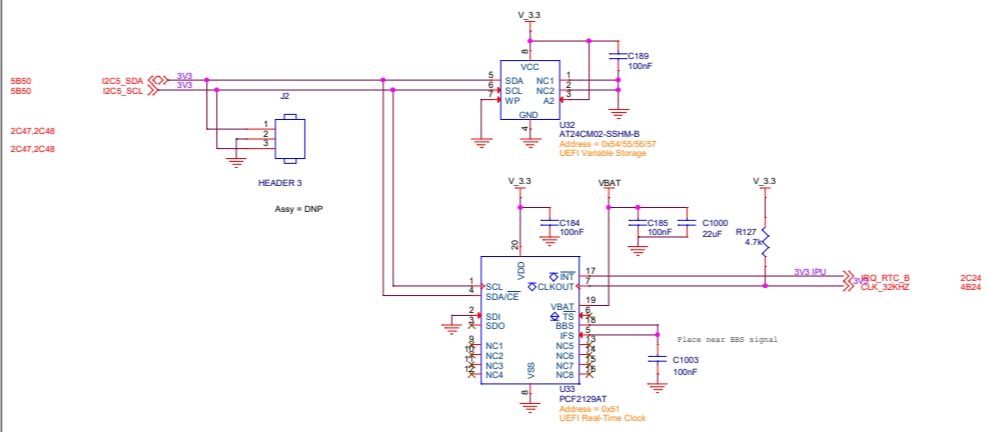
Serial UART 0 and 1



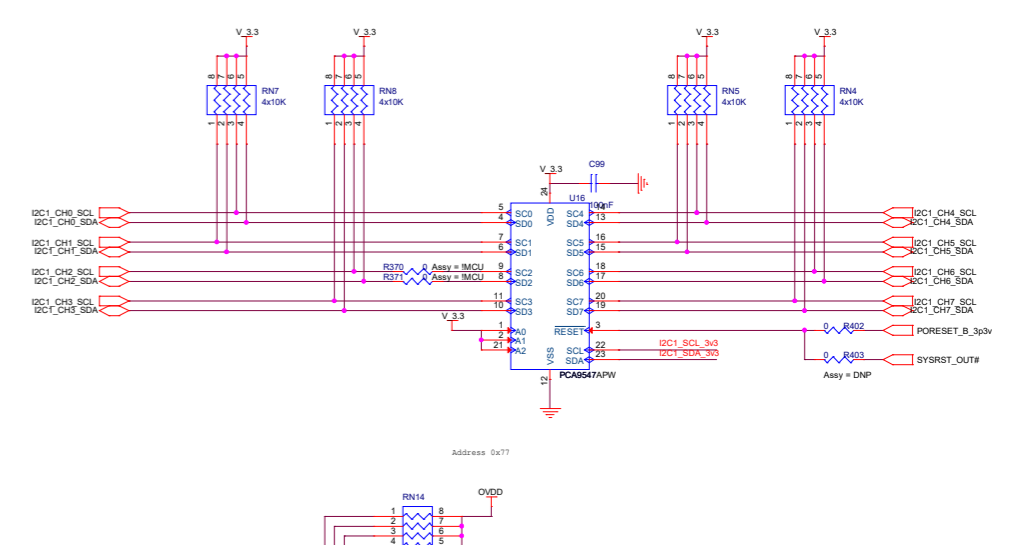
Dual MDC/MDIO with level shifters



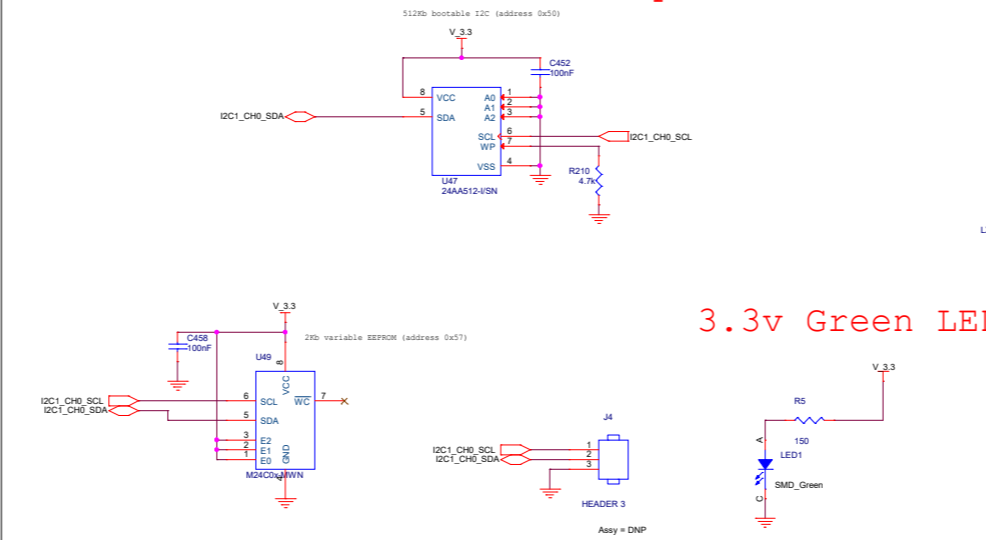
2Mb I2C EEPROM and RTC controller



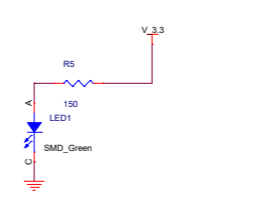
I2C Controllers and MUX



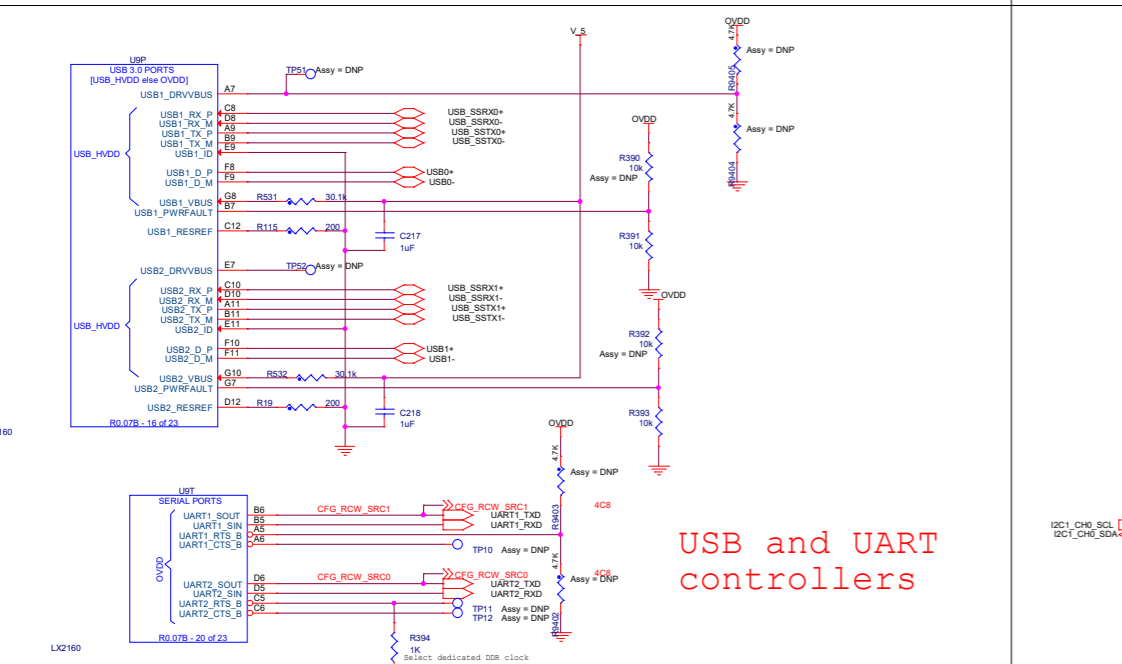
512Kb bootable I2C eeprom, 2Kb variables I2C eeprom



3.3v Green LED

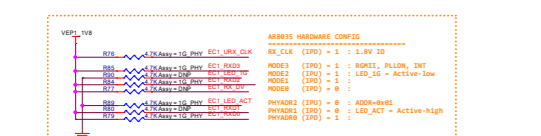
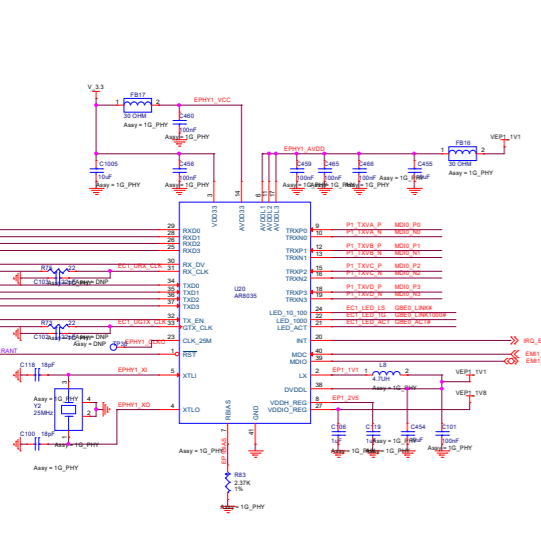
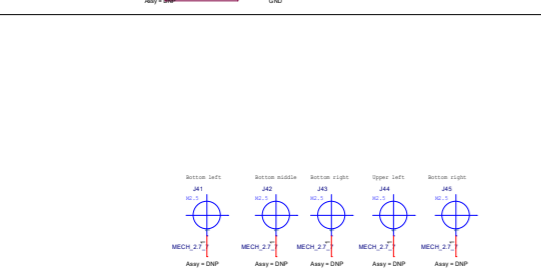
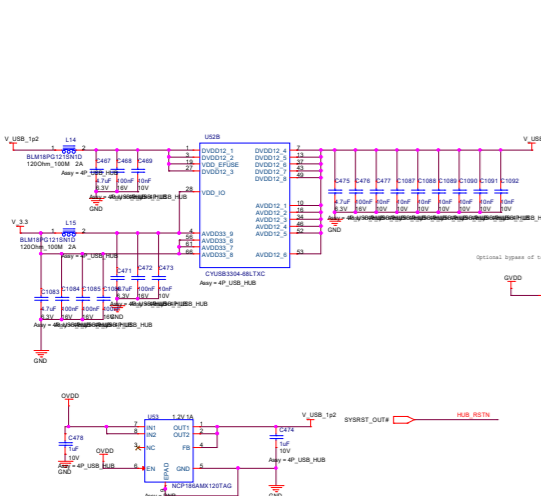
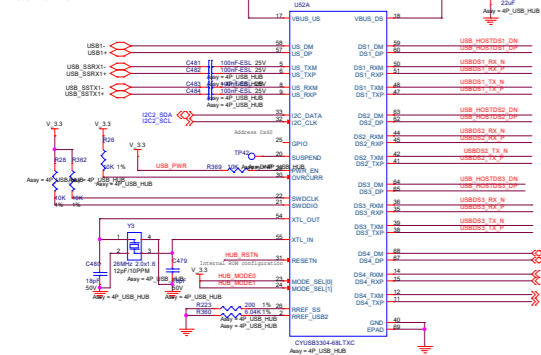


USB and UART controllers



THERMAL MONITORS

CY8B334-682KX1 1.47
CY8B334-682KX1 1.97
CY8B334-682KX1 2.37
CY8B334-682KX1 2.18



BIOS_D0M0
BIOS_D0M1

