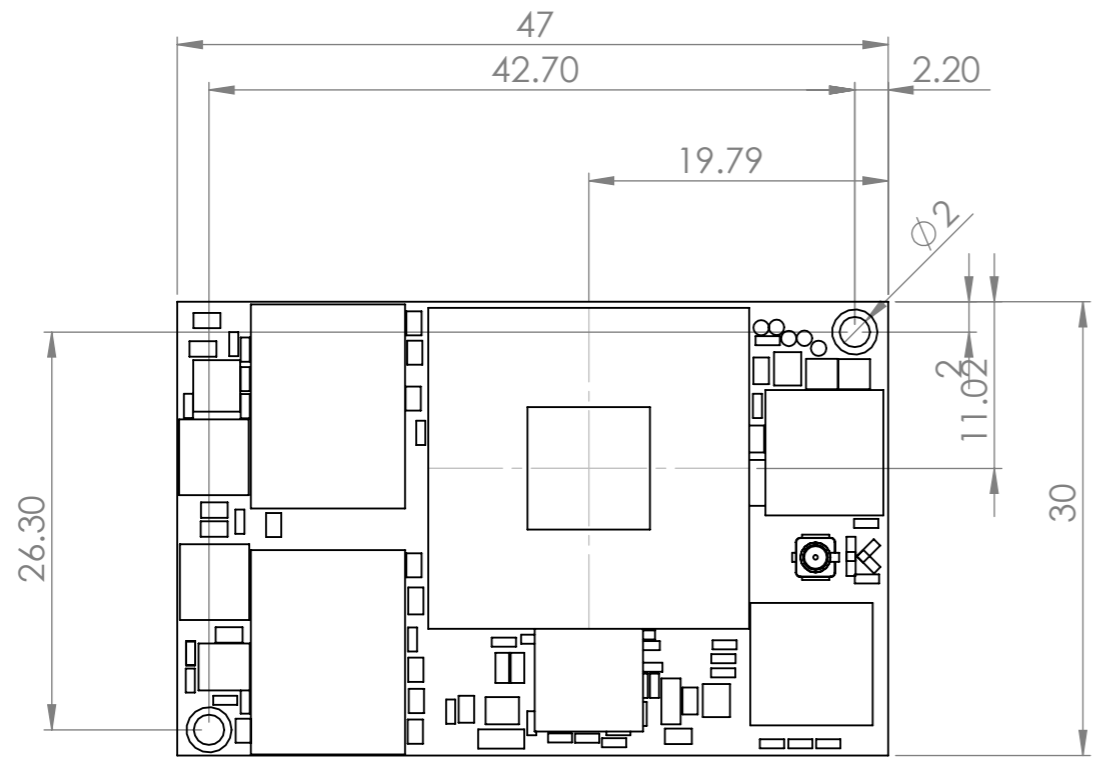
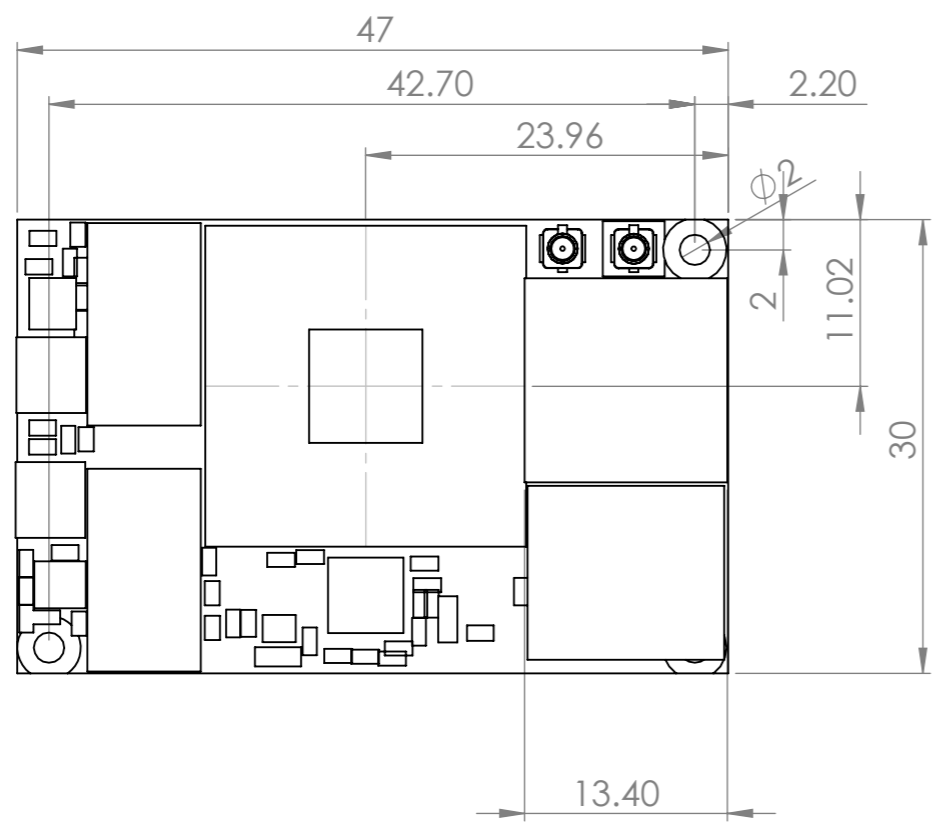
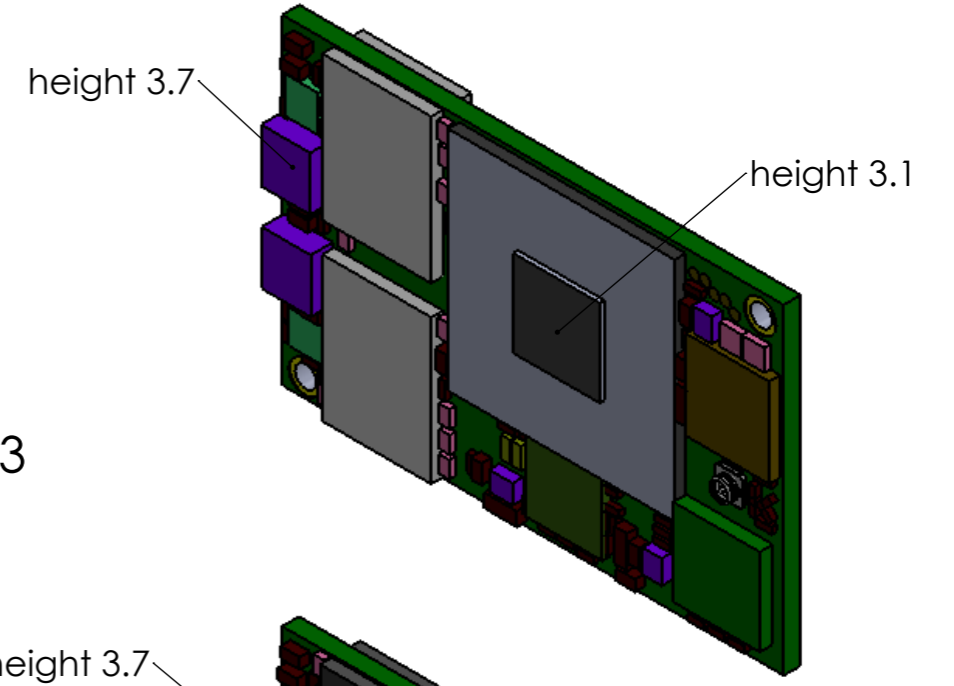


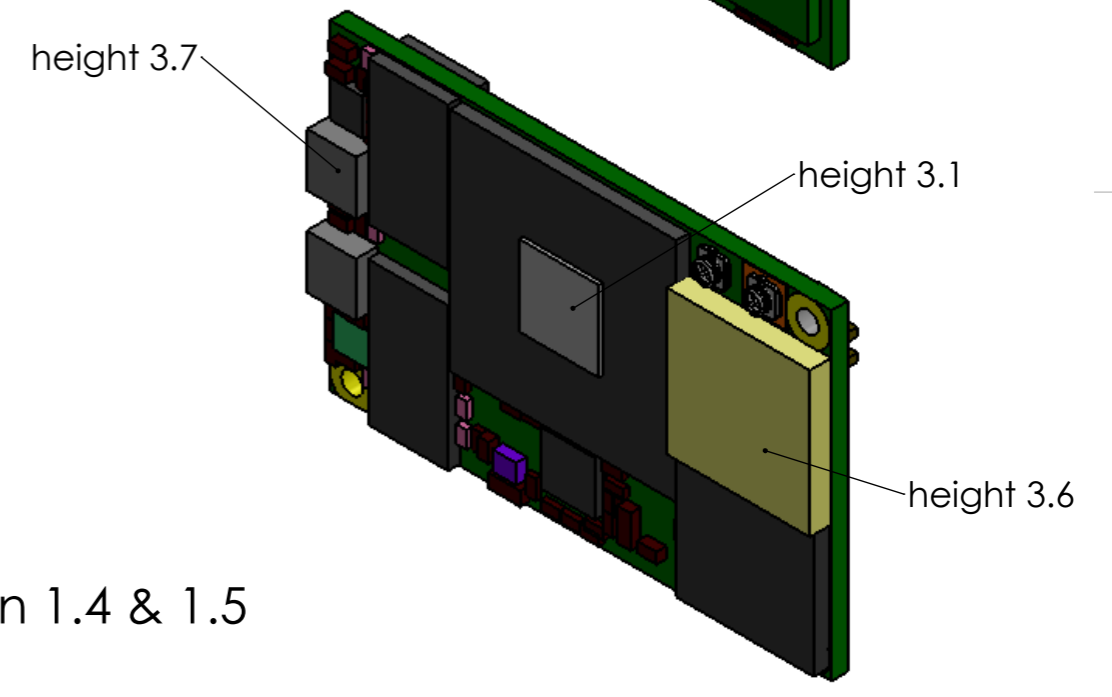
DESCRIPTION	APPROVED	DATE	REV.	CHANGE ORDER
NEW DOCUMENT	AVI LEVY	24/06/2004	A	



Version 1.3



Version 1.4 & 1.5



All heights are from the bottom of the PCB

Solidrun Ltd.

DESIGNER	NAME	DATE	SCALE	SURFACE ROUGHNESS	CUSTOMER	PROJECT
	Avi Levy	23-Aug-16	2:1		SOLIDRUN	IMS6 SOM
DRAWING	Avi Levy	23-Aug-16			NAME: IMS6 version 1.3 vs. 1.4 & 1.5	
APPROVAL		23-Aug-16			DRAWING NO. IMS6-SOM 1.3 VS 1.4	
TOL. NOT SPECIFIED ± 0.5 mm ANGLES NOT SPECIFIED $\pm 0.5^\circ$ REMOVE ALL SHARPE EDGES. MATERIAL: FINISH:					REV. A	DRAWING SIZE A3
Propriety of Korat Engineering					ALL DIMENSIONS ARE IN MILIMETERS	SHEET 1 OF 1